



Spherical Elements and Seal Kits

Spherical Elements:

| Size | NBR (Blue) | NR |
|---|------------|--------|
| 7-1/16" 3/5M | 150987 | 150988 |
| 9" 3/5M | 150996 | 152272 |
| 11" 3M | 150578 | 150579 |
| 11" 5M | 150810 | 150809 |
| 13-5/8" 3/5M | 150576 | 150577 |
| 20-3/4" 3M, 21-1/4" 2M | 150799 | 150800 |
| O.E.M. Part Numbers are for reference only. Titan is not affiliated with any OEM. | | |

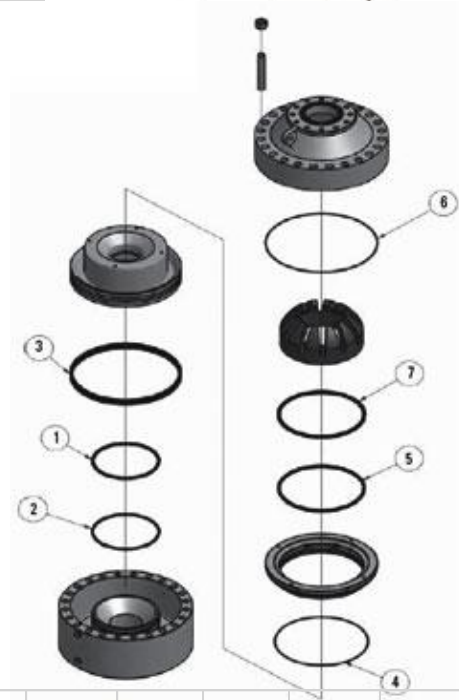


Shaffer® style

Seal Kits:

Features:

- Popular sizes and pressure ratings are in stock
 - OEM kits are available
- Seals are available in kits or individually



| Description | Qty | O.E.M. Part Number | | | | | | | | | | |
|---|-----|--------------------|--------|--------|--------|--------|--------|--------|--------|--------|--------|--------|
| | | 7-3M | 7-5M | 9-3M | 11-3M | 11-5M | 11-10M | 13-3M | 13-5M | 13-10M | 20-3M | 21-2M |
| 1 Upper Piston ID Seal | 1 | 31108 | 31105 | 31110 | 31099 | 31113 | 31100 | 31111 | 31097 | 31146 | 31108 | 31108 |
| 2 Lower Piston ID Seal | 1 | 30761 | 31000 | 31002 | 31101 | 31152 | 31100 | 30780 | 30770 | 31146 | 30761 | 30761 |
| 3 Piston OD Seals | 2 | 31013 | 30780 | 31012 | 30765 | 31018 | 30767 | 30782 | 31029 | 31013 | 31013 | 30767 |
| 4 Upper Adapter ID Seal | 1 | 31107 | 31104 | 31109 | 31098 | 31114 | 31160 | 31112 | 31096 | 31148 | 31107 | 31107 |
| 5 Lower Adapter ID Seal | 1 | 31018 | 31002 | 31037 | 30761 | 30781 | 31160 | 30771 | 30771 | 31148 | 31018 | 31018 |
| 6 Adapter OD Seal | 1 | 31031 | 30408 | 30784 | 30760 | 30783 | 31119 | 31011 | 30772 | 31015 | 31031 | 31019 |
| 7 Top Adapter Seal | 1 | 31027 | 30405 | 31145 | 31095 | 31115 | 31120 | 30773 | 31094 | 31150 | 31027 | 31027 |
| Seal Kit | | 156527 | 155079 | 155077 | 155075 | 155030 | 155168 | 155073 | 155070 | 155045 | 156527 | 155067 |
| O.E.M. Part Numbers are for reference only. Titan is not affiliated with any OEM. | | | | | | | | | | | | |